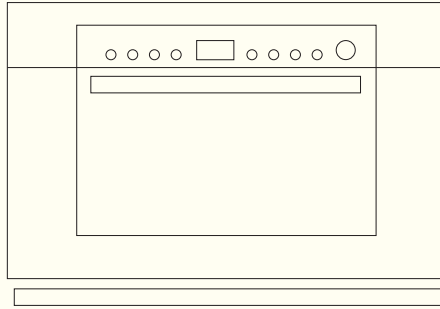
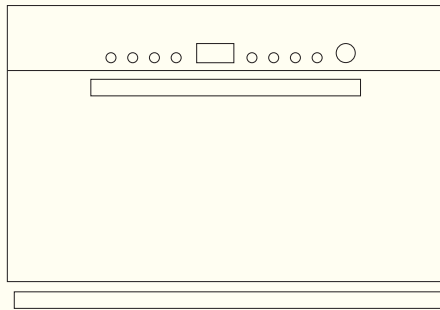




Microwave Oven Owner's Manual



MODEL: 34B1C1



MODEL: 34B1C2

Please read owner's manual instructions carefully before installing and operating the oven.

Record in the space below the SERIAL NO. Found on the nameplate on your oven and retain this information for future reference.

SERIAL NO:

DATE OF PURCHASE:

CONTENTS

SPECIFICATIONS	1	SETTING THE CLOCK	13
BEFORE YOU CALL FOR SERVICE	2	MICROWAVE COOKING	14
INSTALLATION	2	QUICK START	14
GROUNDING INSTRUCTIONS	6	GRILL	14
RADIO INTERFERENCE	6	MICROWAVE+GRILL	15
IMPORTANT SAFETY INSTRUCTIONS	7-8	CONVECTION	15
PRECAUTIONS FOR MICROWAVE ENERGY	9	MICROWAVE+CONVECTION	16
COOKING TECHNIQUES	9	SETTING THE TIMER	16
UTENSILS GUIDE	10	MULTI STAGE COOKING	17
PART NAMES	11	CHILD LOCK	17
CONTROL PANEL	12	AUTOMATIC PROTECTION MECHANISM	17
OPERATION INSTRUCTIONS	13	AUTO COOK	18
		CLEANING AND CARE	19

SPECIFICATIONS

Power Supply	230V-240/50HZ
Power Consumption (Microwave)	1400W
Power Consumption (Grill)	2050W
Power Consumption (Convection)	2050W
Rated Microwave Power Output	900W
Operation Frequency	2450MHz
Outside Dimensions	386mm(H)×592mm(W)×540mm(D)
Oven Cavity Dimensions	238mm(H)×405mm(W)×351mm(D)
Oven Capacity	34Litres
Net Weight	Approx. 27.8kg

BEFORE YOU CALL FOR SERVICE

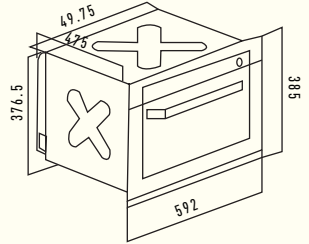
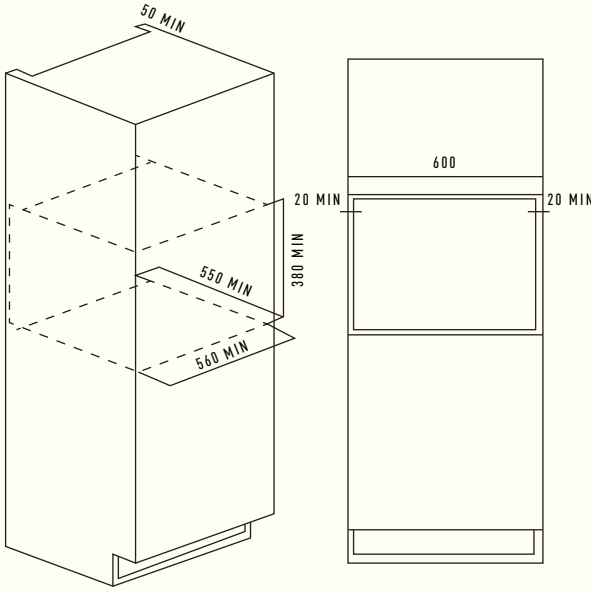
Before asking for service, please check each item below:

- 1 Check to ensure the oven is plugged in securely. If not, remove the plug from the outlet, wait 10 seconds, and plug it in again securely.
- 2 Check for a blown circuit fuse or a tripped main circuit breaker. If these seem to be operating properly, test the outlet with another appliance.
- 3 Check to ensure the control panel is programmed correctly and the timer is set.
- 4 Check to ensure the door is securely closed, engaging the door lock system. If the door is not properly closed, the microwave energy will not flow inside.

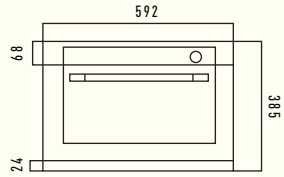
IF NONE OF THE ABOVE RECTIFIES THE SITUATION, THEN CONTACT A QUALIFIED TECHNICIAN. DO NOT TRY TO ADJUST OR REPAIR THE OVEN YOURSELF.

INSTALLATION

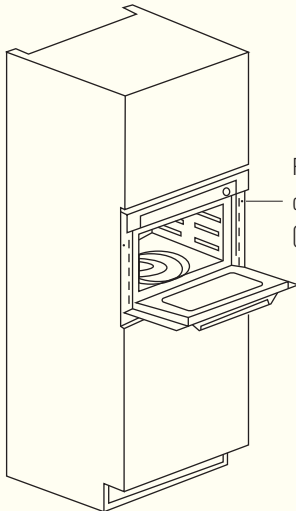
- 1 Make sure that all the packing materials are removed from the inside of the door.
- 2 **WARNING!**--Check the oven for any damage, such as misaligned or bent door, damaged door seals and sealing surface, broken or loose door hinges and latches and dents inside the cavity or on the door. If there is any damage, do not operate the oven and contact qualified service personnel.
- 3 This microwave oven must be placed on a flat, stable surface to hold its weight and the heaviest food likely to be cooked in the oven.
- 4 Do not place the oven where heat, moisture, or high humidity are generated, or near combustible materials.
- 5 Do not operate the oven without glass tray, roller support, and shaft in their proper positions.
- 6 Make sure that the power supply cord is undamaged and does not run under the oven or over any hot or sharp surface.
- 7 The socket must be readily accessible so that it can be easily unplugged in an emergency.
- 8 Do not use the oven outdoors.
- 9 For correct operation, the oven must have sufficient airflow. Allow 20cm of space above the oven, 10cm at back and 5cm at both sides. Do not cover or block any openings on the appliance. Do not remove feet.
- 10 Cabinet dimension for built in oven (H x W x D) =380mm x 560mm x 550mm



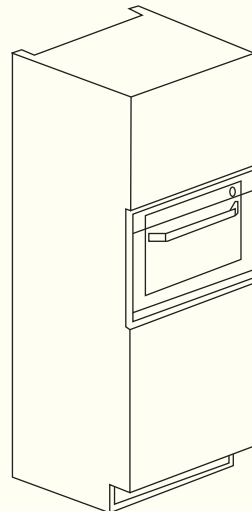
Microwave of Dimension

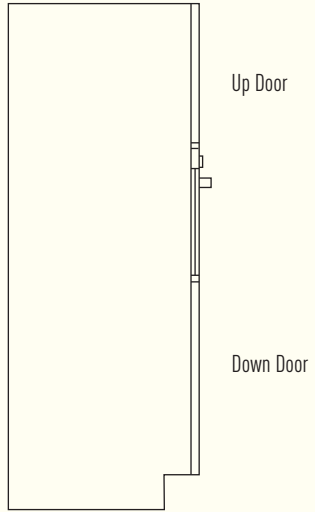
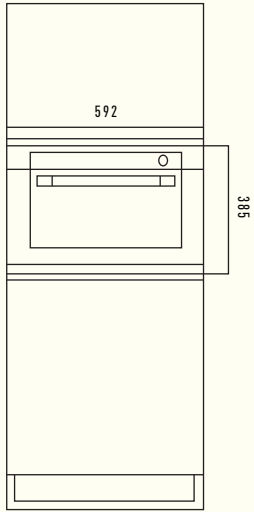


Make a Cabinet according to the dimension

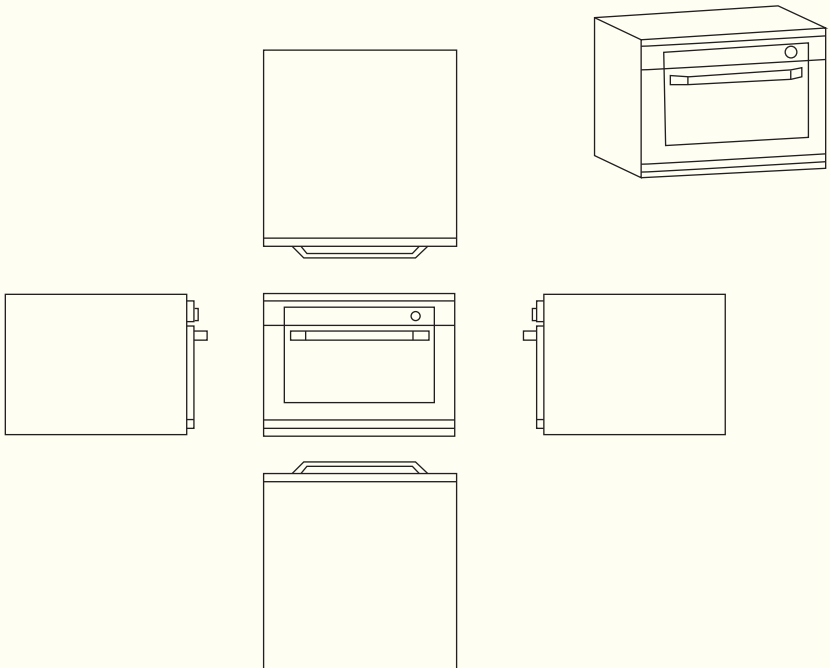


Fasten the oven into the cabinet with 2 screws (ST4x16)

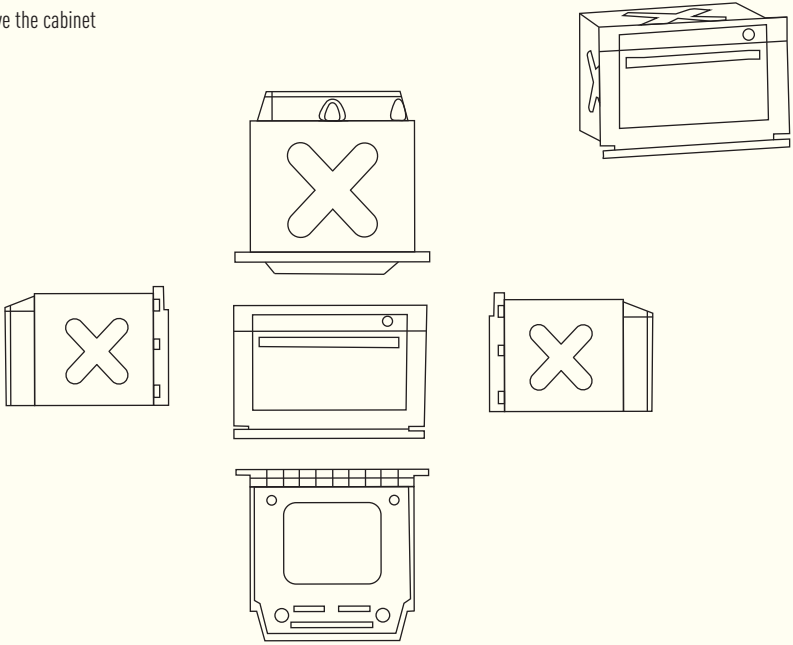




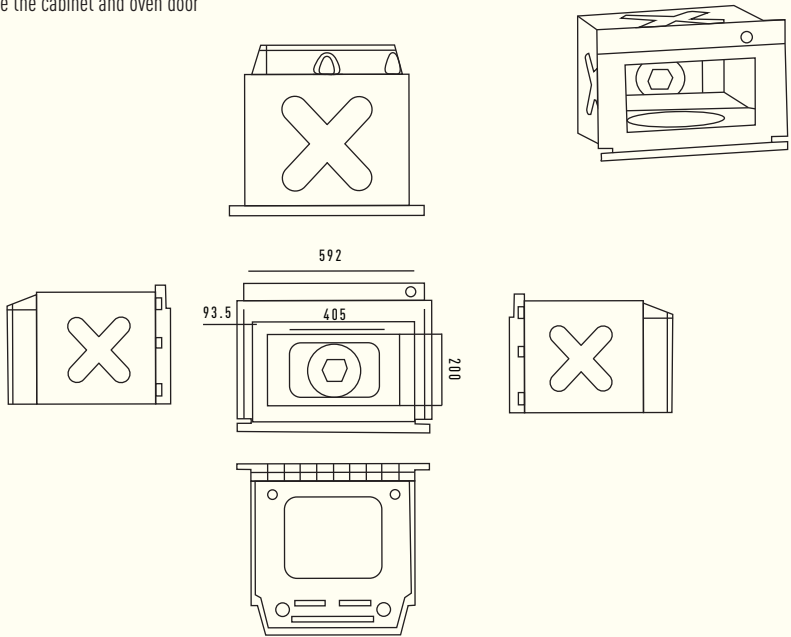
With Cabinet



Remove the cabinet



Remove the cabinet and oven door



GROUNDING INSTRUCTIONS

This appliance must be grounded. This oven is equipped with a cord having a grounding wire with a grounding plug. It must be plugged into a wall receptacle that is properly installed and grounded. In the event of an electrical short circuit, grounding reduces risk of electric shock by providing an escape wire for the electric current. It is recommended that a separate circuit serving only the oven be provided. Using a high voltage is dangerous and may result in a fire or other accident causing oven damage.

WARNING!--Improper use of the grounding plug can result in a risk of electric shock.

Note:

- 1 If you have any questions about the grounding or electrical instructions, consult a qualified electrician or service person.
- 2 Neither the manufacturer nor the dealer can accept any liability for damage to the oven or personal injury resulting from failure to observe the electrical connection procedures.

The wires in this cable main are colored in accordance with the following code:

Green and Yellow = EARTH

Blue = NEUTRAL

Brown = LIVE

RADIO INTERFERENCE

Operation of the microwave oven can cause interference to your radio, TV, or similar equipment. When there is interference, it may be reduced or eliminated by taking the following measures:

- 1 Clean door and sealing surface of the oven.
- 2 Reorient the receiving antenna of radio or television.
- 3 Relocate the microwave oven with respect to the receiver.
- 4 Move the microwave oven away from the receiver.
- 5 Plug the microwave oven into a different outlet so that microwave oven and receiver are on different branch circuits.

IMPORTANT SAFETY INSTRUCTIONS

When using electrical appliance basic safety precautions should be followed, including the following:

WARNING!--To reduce the risk of burns, electric shock, fire, injury to persons or exposure to excessive microwave energy:

- Read all instructions before using the appliance and keep for future reference.
Use this appliance only for its intended use as described in the manual. Do not use corrosive chemicals or vapors in this appliance. This type of oven is specifically designed to heat, cook or dry food. It is not designed for industrial or laboratory use.
- Do not operate the oven when empty.
- Do not operate this appliance if it has a damaged cord or plug, if it is not working properly, or if it has been damaged or dropped. If the supply cord is damaged, it must be replaced by the manufacturer or its service agent or a similarly qualified person in order to avoid a hazard.

WARNING!--Only allow children to use the oven without supervision when adequate instructions have been given so that the child is able to use the oven in a safe way and understands the hazards of improper use.

- **WARNING!**--When the appliance is operated in the combination mode, children should only use the oven under adult supervision due to the temperatures generated
- a. To reduce the risk of fire in the oven cavity:
- b. When heating food in plastic or paper container, keep an eye on the oven due to the possibility of ignition.
- c. Remove wire twist-ties from paper or plastic bags before placing bag in oven.
- d. If smoke is observed, switch off or unplug the appliance and keep the door closed in order to stifle any flames.
- e. Do not use the cavity for storage purposes. Do not leave paper products, cooking utensils, or food in the cavity when not in use.
- The microwave oven is intended for heating food and beverages. Drying of clothing and heating of warming pads, slippers, sponges, damp cloth and similar may lead to risk of injury, ignition or fire.
- **WARNING!**--Liquid or other food must not be heated in sealed containers since they are liable to explode.
- Microwave heating of beverage can result in delayed eruptive boiling, therefore care has to be taken when handle the container.
- Do not fry food in the oven. Hot oil can damage oven parts and utensils and even result in skin burns.
- Eggs in their shell and whole hard-boiled eggs should not be heated in microwave ovens since they may explode even after microwave heating has ended.
- Pierce foods with heavy skins such as potatoes, whole squashes, apples and chestnuts before cooking.
- The contents of feeding bottles and baby jars should be stirred or shaken and the temperature should be checked before serving in order to avoid burns.
- Cooking utensils may become hot because of heat transferred from the heated food. Potholders may be needed to handle the utensil.
- Utensils should be checked to ensure that they are suitable for use in microwave oven.

- **WARNING!**--It is hazardous for anyone other than a trained person to carry out any service or repair operation which involves the removal of any cover which gives protection against exposure to microwave energy.
- This Microwave complies with EN 55011/CISPR 11, in this standard it belong to Class B Group 2 classification. Group 2 equipment: group 2 contains all ISM RF equipment in which radio-frequency energy in the frequency range 9 kHz to 400 GHz is intentionally generated and used or only used locally, in the form of electromagnetic radiation, inductive and/or capacitive coupling, for the treatment of material, for inspection/analysis purposes, or for transfer of electromagnetic energy. Class B equipment is equipment suitable for use in locations in residential environments and in establishments directly connected to a low voltage power supply network which supplies buildings used for domestic purposes.
- This appliance is not intended for use by persons (including children) with reduced physical, sensory or mental capabilities, or lack of experience and knowledge, unless they have been given supervision or instruction concerning use of the appliance by a person responsible for their safety.
- Children should be supervised to ensure that they do not play with the appliance.
The microwave oven is only used in freestanding.
- **WARNING!**--Do not install oven over a range cook top or other heat-producing appliance. if installed could be damaged and the warranty would be avoid .
- The microwave oven shall be placed in a cabinet.
- The door or the outer surface may get hot when the appliance is operating.
- **WARNING!**--Accessible parts may become hot during use. Young children should be kept away.
- During use the appliances becomes hot. Care should be taken to avoid pressing heating elements inside the oven, for cooking ranged and ovens.
- The temperature of accessible surfaces may be high when the appliance is operating.
- Appliance is not to be used by children or persons with reduced physical, sensory or mental capabilities, or lack of experience and knowledge, unless they have been given supervision or instruction.
WARNING!--If the door or door seals are damaged, the oven must not be operated until it has been repaired by a competent person.
- The appliances are not intended to be operated by means of an external timer or separate remote-control system.
- The microwave oven is for household use only and not for commercial use.
- Never remove the distance holder in the back or on the sides, as it ensures a minimum distance from the wall for air circulation.
- Please secure the turntable before you move the appliance to avoid damages.
CAUTION!--It is dangerous to repair or maintain the appliance by no other than a specialist because under these circumstances the cover have to be removed which assures protection against microwave radiation. This applies to changing the power cord or the lighting as well. Send the appliance in these cases to our service centre.
- The microwave oven is intended for defrosting, cooking and steaming of food only.
- Use gloves if you remove any heated food.
Caution! Steam will escape, when opening lids or wrapping foil.
- This appliance can be used by children aged from 8 years and above and persons with reduced physical, sensory or mental capabilities or lack of experience and knowledge if they have been given supervision or instruction concerning use of the appliance in a safe way and understand the hazards involved. Children shall not play with the appliance.

- Cleaning and user maintenance shall not be made by children unless they are aged from 8 years and above and supervised.
- If smoke is emitted, switch off or unplug the appliance and keep the door closed in order to stifle any flames.

PRECAUTIONS FOR EXCESSIVE MICROWAVE ENERGY

- Do not attempt to operate this oven with the door open since open-door operation can result in harmful exposure to microwave energy. It is important not to defeat or tamper with the safety interlocks.
- Do not place any object between the oven front face and the door or allow soil or cleaner residue to accumulate on sealing surfaces.
- Do not operate the oven if it is damaged. It is very important that the oven door close properly and that there is no damage to the:
 - a Door (including any bent),
 - b Hinges and latches (broken or loosened),
 - c Door seals and sealing surfaces.
- The oven should not be adjusted or repaired by anyone except qualified service personnel.

COOKING TECHNIQUES

- Arrange food carefully. Place thickest areas towards outside of dish.
- Watch cooking time. Cook for the shortest amount of time indicated and add more as needed. Food severely overcooked can smoke or ignite.
- Cover foods while cooking. Covers prevent spattering and help foods to cook evenly.
- Turn foods over once during microwave cooking to speed cooking of such foods as chicken and hamburgers. Large items like roasts must be turned over at least once.
- Rearrange foods such as meatballs halfway through cooking both from top to bottom and from the center of the dish to the outside.

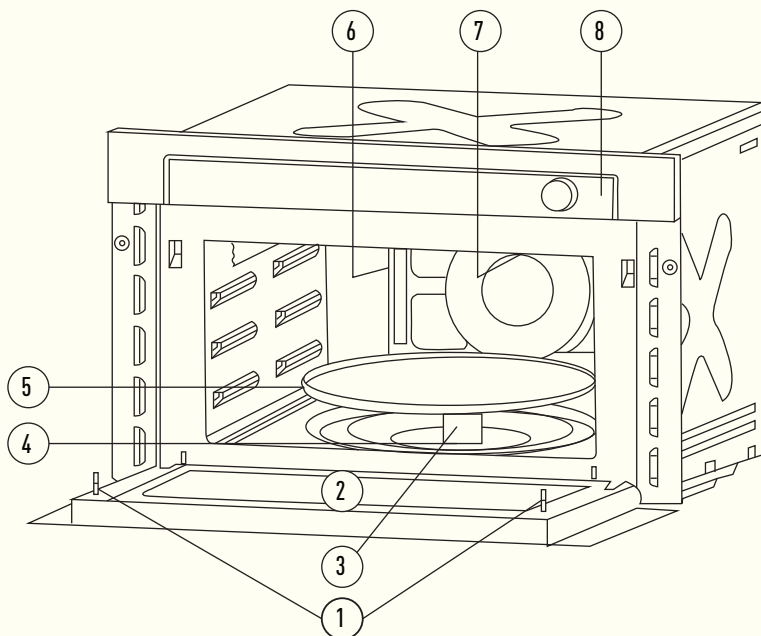
UTENSILS GUIDE

- 1 Microwave cannot penetrate metal. : Use of transparent utensils in suitable for microwave ovens. Metallic containers for food and beverages are not allowed during microwave cooking. This requirement is not applicable if the manufacturer specifies size and shape of metallic containers suitable for microwave cooking.
- 2 Microwave cannot penetrate metal, so metal utensils or dishes with metallic trim should not be used.
- 3 Do not use recycled paper products when microwave cooking, as they may contain small metal fragments which may cause sparks and/or fires.
- 4 Round /oval dishes rather than square/oblong ones are recommend, as food in corners tends to overcook.
- 5 Narrow strips of aluminum foil may be used to prevent overcooking of exposed areas. But be careful don't use too much and keep a distance of 1 inch (2.54cm) between foil and cavity.
- 6 The list below is a general guide to help you select the correct utensils;

Cookware	Microwave	Grill / Convection / SKEWER	Combination
Heat-Resistant Glass	Yes	Yes	Yes
Non Heat-Resistant Glass	No	No	No
Heat-Resistant Ceramics	Yes	Yes	Yes
Microwave-Safe Plastic Dish	Yes	No	No
Kitchen Paper	Yes	No	No
Metal Tray	No	Yes	No
Metal Rack	No	Yes	No
Aluminium Foil & Foil Container	No	Yes	No

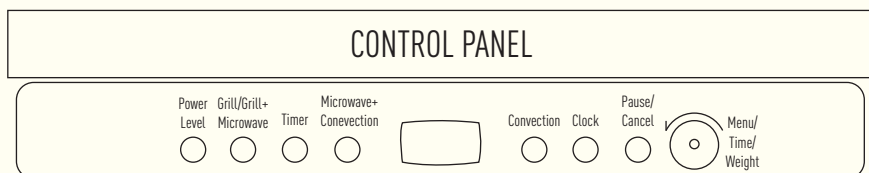
* Combination: applicable for both "microwave+grill", and "microwave+convection" cooking.

PART NAMES



- 1 Door Safety Lock System
- 2 Oven Window
- 3 Shaft
- 4 Roller Ring
- 5 Glass Tray
- 6 Wave Guide (Please do not remove the mica sheet covering the wave guide)
- 7 Back Convection Fan with Heater
- 8 Control Panel

CONTROL PANEL



DISPLAY SCREEN

Cooking time, power, indicators and present time are displayed.

POWER LEVEL

Press to select microwave power level.

GRILL/GRILL+MICROWAVE

Press to set a grill cooking program.

Press to set microwave and grill combination cooking program.

TIMER

Press to set timer function.

MICROWAVE+CONVECTION

Press to set microwave and convection combination cooking program.

CONVECTION

Press to set convection cooking program.

ACCESSORIES

1. Baking tray
2. Grill Rack

CLOCK

Press to set clock time.

PAUSE/CANCEL

Press to clear all previous settings before cooking starts.

Press once to stop cooking temporarily or twice to cancel cooking altogether.

It is also used to set child lock.

MENU/TIME/WEIGHT (knob)

Turn to select auto cooking menus.

Turn to set time and food weight.

START/QUICK START

Press to start cooking programs.

Simply press it a number of times to set cooking time and cook immediately at full power level.

OPERATION INSTRUCTIONS

- When the oven is first plugged in, a beep will sound and "HELLO WELCOME" scrolling display.
- In the process of setting, broke about 25 seconds the oven will return to standby mode.
- During cooking, if press PAUSE/CANCEL button once, the program will be paused, then press START/QUICK START button to resume. But if press PAUSE/CANCEL button twice, the program will be cancelled.
- After cooking end, the display will show End and beep will sound every two minutes until user press PAUSE/CANCEL button or open the door.
- This system of the microwave oven has the feature of cooling. As for microwave, grill, convection and combination cooking programs mode which cooking time above 2 minutes, the oven fan will work about 3 minutes automatically to cool the oven for prolonging the life of the oven.
- In standby mode, if there is not any operation within 2 minutes, the backlight will turn off. Until press corresponding effective button or turn the knob, the backlight will turn on

SETTING THE CLOCK

This is a 12- or 24- hour clock. You can choose to set the clock time in 12- or 24- hour by pressing CLOCK button in standby mode.

- In standby mode, press CLOCK button once or twice to select 12- or 24- hour clock.
- Turn MENU/TIME/WEIGHT knob to set hour digit.
- Press CLOCK button once.
- Turn MENU/TIME/WEIGHT knob to set minute digit.

MICROWAVE COOKING

- Press POWER LEVEL button repeatedly to select cooking power level.
- Turn MENU/TIME/WEIGHT knob to set cooking time. The longest time is 95 minutes.
- Press START/QUICK START button to start.
- Press POWER LEVEL button to select cooking power level:

Press POWER LEVEL button to select different cooking power		
Press	Power Level	Display
Once	100%	P100
Twice	80%	P-80
3 Times	60%	P-60
4 Times	40%	P-40
5 Times	20%	P-20
6 Times	0%	P-00

NOTE: During cooking, you can check the power level by pressing POWER LEVEL button. If you want to cook at full power level, in standby mode, turn MENU/TIME/WEIGHT knob clockwise to set cooking time, then press START/QUICK START button to start.

QUICK START

Use this feature to program the oven to microwave food at 100% power conveniently. In standby mode, press START/QUICK START button repeatedly to set cooking time (each press to increase 30 seconds, and up to 10 minutes). The oven will auto-start immediately. During cooking, you can add cooking time by pressing START/QUICK START button.

GRILL

The longest cooking time is 95 minutes. Grill cooking is particularly useful for thin slices of meat, steaks, chops, kebabs, sausages and pieces of chicken. It is also suitable for hot sandwiches and au gratin dishes.

- Press GRILL/GRILL+MICROWAVE button once.
- Turn MENU/TIME/WEIGHT knob to set cooking time. The longest time is 95 minutes.
- Press START/QUICK START button to start.

MICROWAVE + GRILL

Combination 1: 30% of whole time for microwave cooking, 70% for grill cooking. Use for cooking fish or au gratin.

Combination 2: 55% of whole time for microwave cooking, 45% for grill cooking. Use for cooking pudding, omelets, baked potatoes and poultry.

- Press GRILL/GRILL+MICROWAVE button twice or 3 times, the display will show "Com-1" or "Com-2".
- Turn MENU/TIME/WEIGHT knob to set cooking time. The longest time is 95 minutes.
- Press START/QUICK START button to start.

NOTE: During cooking, you can check the combination power level by pressing GRILL/GRILL+MICROWAVE button.

CONVECTION

During convection cooking, hot air is circulated throughout the oven cavity to brown and crisp foods quickly and evenly.

This oven can be programmed for ten different cooking temperatures. They are: 200C→190C→180C→170C→160C→150C→140C→130C→120C→110C.

To preheat and cook with convection:

- Your oven can be programmed to combine preheating and convection cooking operations.
- In standby mode, press CONVECTION button repeatedly to set preheat temperature.
- Press START/QUICK START button. When the oven reaches the programmed temperature, beeps will sound once every 5 seconds.
- Open the oven door and place food into the oven.
- Turn MENU/TIME/WEIGHT knob to set cooking time. The longest time is 95 minutes.
- Press START/QUICK START button to start.

NOTE: The default preheat time is 30 minutes and the preheat time cannot be set. After reaching set temperature, there is a short sound every 5 seconds for 30 minutes. If do not open the oven door in the 30 minutes, the program will end automatically.

To cook with convection:

- In standby mode, press CONVECTION button repeatedly to set desired temperature.
- Turn MENU/TIME/WEIGHT knob to set cooking time. The longest time is 95 minutes.
- Press START/QUICK START button to confirm.

MICROWAVE + CONVECTION

- Press MICROWAVE+CONVECTION button repeatedly to select temperature.
- Turn MENU/TIME/WEIGHT knob to set cooking time. The longest time is 95 minutes.
- Press START/QUICK START button to start.
- Press MICROWAVE+CONVECTION button to select convection temperature:

Press MICROWAVE+CONVECTION Button	Temperature (C)
Once	170
Twice	140
3 Times	110

SETTING THE TIMER

You can use the timer feature, when you need to be reminded of the cooking or some other things.

- In standby mode, during cooking or pausing state, press TIMER button once.
- Turn MENU/TIME/WEIGHT knob to set the desired time. The longest time is 95 minutes.
- Press START/QUICK START button to confirm.

NOTE: When the countdown ends, the buzzer will beep to remind you. You can check the countdown time by pressing TIMER button once. If press PAUSE/CANCEL button when the display shows the time, the program will be cancelled.

MULTI-STAGE COOKING

Your oven can be programmed for up to 3 automatic cooking sequences.

Suppose you want to set the following cooking program.

Microwave cooking



Grill cooking



Convection cooking (without preheat function):

- Input the microwave cooking program. Do not press START/QUICK START button.
- Input the grill cooking program. Do not press START/QUICK START button.
- Input the convection cooking program.
- Press START/QUICK START button to start.

NOTE: Quick start, convection with preheat, auto cook menus and auto defrost cannot be set in multistage cooking.

CHILD LOCK

The child proof lock prevents unsupervised operation by children.

To set: In standby mode, press and hold PAUSE/CANCEL button for 3 seconds or more, then a beep will sound, the oven will auto enter child lock mode and the lock indicator light will turn on. In the lock state, the oven can't be operated.

To cancel: Press and hold PAUSE/CANCEL button for 3 seconds or more, then a beep will sound and the indicator light will come off, the oven can be operated.

AUTOMATIC PROTECTION MECHANISM

OVERHEATING PROTECTION: When the system enters into super high temperature protection status, the digital display shows "ERROR" and continues to beep. After pressing PAUSE/CANCEL button once, the system comes back to normal standby mode.

LOW TEMPERATURE PROTECTION: When the system enters into super low temperature protection status, the digital display shows "ERROR" and continues to beep. After pressing PAUSE/CANCEL button once, the system comes back to normal standby mode.

SENSOR MALFUNCTION PROTECTION: The system enters into protection mode when the system sensor is short circuited. The display shows "ERROR" and continues to beep. After pressing PAUSE/CANCEL button, the system comes back to normal standby mode.

AUTO COOK

- For the following cooking food or mode, it is not necessary to program the time and the cooking power. It is sufficient to indicate the type of food that you want to cook as well as the weight or servings of this food.
- In standby mode, turn MENU/TIME/WEIGHT knob anti-clockwise once, then continue to turn MENU/TIME/WEIGHT knob to select food code.
- Press START/QUICK START button to confirm.
- Turn MENU/TIME/WEIGHT knob to set food weight or servings.
- Press START/QUICK START button to start.
- Auto cook menus:

CODE	Food	Indicators On Display
1	Baked Potato (230g/1-3 servings)	1) For Chicken, during cooking, the system will pause to remind user to turn food over and then close the door, press START/QUICK START button to resume cooking. 2) For whole potato, you may need to add keep-fresh bag when cooking. 3) During defrosting, the system will pause and sound to remind user to turn food over, and then press START/QUICK START button to resume the defrosting. 4) The result of auto cooking depends on factors such as voltage fluctuation, the shape and size of food, your personal preference as to the doneness of certain foods and even how well you happen to place food in the oven. If you find the result at any rate not quite satisfactory, please adjust the cooking time a little bit accordingly. 5) KEEP WARM : Rotate the MENU/TIME/WEIGHT dial to select menu to 10. Keep Warm, press START/QUICK START button to confirm.
2	Coffee (200 ml/cup, 1-3 cups)	
3	Popcorn (99 g)	
4	Auto Reheat (200-800 g)	
5	Spaghetti (100 g, 200 g, 300 g)	
6	Pizza (150 g, 300 g, 450 g)	
7	Chicken (800-1400 g)	
8	Cake (475 g)	
9	Auto defrost (100-1800 g)	
10	Keep Warm	

CLEANING AND CARE

- Turn off the oven and unplug the power cord from the wall when cleaning.
- Keep the inside of the oven clean. When food splatters or spilled liquids adhere to oven walls, wipe with a damp cloth. Mild detergents may be used if the oven gets very dirty. Avoid using spray or other harsh cleaners. They may stain, streak or dull the door surface.
- The outside of the oven should be cleaned with a damp cloth. To prevent damage to the operating parts inside the oven, water should not be allowed to seep into the ventilation openings.
- Wipe the door and window on both sides, the door seals and adjacent parts frequently with a damp cloth to remove any spills or splatters. Do not use abrasive cleaner.
- A steam cleaner is not be used.
- Do not allow the control panel to become wet. Clean with a soft, damp cloth. When cleaning the control panel, leave oven door open to prevent oven from accidentally turning on.
- If steam accumulates inside or around the outside of the oven door, wipe with a soft cloth. This may occur when the microwave oven is operated under high humidity condition. And it is normal.
- It is occasionally necessary to remove the glass tray for cleaning. Wash the tray in warm water or in a dishwasher.
- The roller ring and oven floor should be cleaned regularly to avoid excessive noise. Simply wipe the bottom surface of the oven with mild detergent. The roller ring may be washed in mild, soapy water or in a dishwasher. When removing the roller ring, be sure to replace it in the proper position.
- Remove odors from your oven by combining a cup of water with the juice and skin of one lemon in a microwaveable bowl. Microwave for 5 minutes. Wipe thoroughly and dry with a soft cloth.
- If the light bulb burns out, please contact customer service to have it replaced.
- The oven should be cleaned regularly and any food deposits should be removed. Failure to maintain the oven in a clean condition could lead to deterioration of surface that could adversely affect the life of the unit and could possibly result in a hazardous situation.
- Please do not dispose of this appliance into the domestic rubbish bin; it should be disposed to the particular disposal center provided by the municipalities.
- When the microwave oven with grill function is first used, it may produce slight smoke and smell. This is a normal phenomenon, because the oven is made of a steel plate coated with lubricating oil, and the new oven will produce fumes and odor generated by burning the lubricating oil. This phenomenon will disappear after a period of using.

WARRANTY CARD

IFB Industries Limned. ("The Company") warrants to the original domestic purchase of this microwave oven ("Appliances") that it is free from defects in workmanship & materials. During 12 months from the date of purchase of the new microwave oven model, all the parts of the microwave oven and 36 months on Magnetron & Cavity, shall be replaced or repaired free of charge, on intimation to the Company I Company's authorized service centre nearest to the place where the appliance is installed This warranty is subject to Limitations of Warranty :

- 1 This warranty is not valid in case of the following events.
 - a If the warranty card is not fully and properly filled in and signed at the time of purchase I installation by the company's authorised dealer I service engineer.
 - b If the completed warranty card is not presented to the authorised personnel at the time of service I repair.
 - c If the appliance is not used in accordance with manufacturer's instructions given in the Operating Manual.
 - d If the appliance has been serviced, repaired, opened or tampered by any unauthorized personnel.
 - e If defects arise I caused by accidents, alteration, misuse, neglect, abuse, substitution of original components with spurious I non-genuine components, attack by household pests I rodents, fire, flood, earth-quake, lightning and I or any other acts of God I natural calamities.
 - f If damages occur by improper electrical, circuit outside the appliance or by any defective electrical supply thereof.
 - g If the machine serial number on the appliance is defaced, missing or altered.
 - h If the appliance is taken out of India.
- 2 This warranty does not cover any type of painting, plating including rusting etc or defects thereof.
- 3 This warranty does not cover normal wear and tear of parts.
- 4 Liability for consequential damages is neither accepted nor implied.
- 5 Parts replaced or repaired under this warranty are warranted throughout the remaining of the original warranty period.
- 6 Company is not liable for any delay in servicing due to reasons beyond the control of the company or any of its authorised service center.
- 7 This warranty is not applicable, if the microwave oven is used for commercial purpose of at places like Institutions, Hotels, Hostels, Hospitals, Community Halls and other similar applications.
- 8 For any service under this warranty beyond city I town I municipal limits from the Company I authorized service centre, a fixed charge of Rs. 250 /- will be collected from the customer in addition to the actual to and fro charges by the shortest route. Alternatively the customer can bring the appliance to the nearest service centre for carrying out the necessary repairs, at customer's own cost.

- 9 During the warranty period whenever the appliance is shifted from the original city of purchase to another city/town where service is provided by the company's authorized service agent, a warranty transfer charge of RS. 300/- will be collected from the customer by the company's authorized service agent. The above charges also include the reinstallation of the appliance. However in case of transfer to a city where the company provides direct service, a nominal charge of RS. 250/- only will be collected from the customer towards reinstallation. The Company, however, shall not undertake the responsibility of shifting / transferring the appliance from the location where the appliance was originally installed.
- 10 This warranty is issued subject to the jurisdiction of Kolkata courts, and / or other judicial / quasi judicial forums having jurisdiction over the registered office of the Company.

Note: For all types of repairs / maintenance under warranty, the appliance shall be brought to the nearest company service center or its authorized service agent

CUSTOMER COPY

Mr./Mrs./Ms.:

Address:

Telephone No.:

Model No.:

Serial No.:

Date of purchase:

Cash Memo No.:

Dealer Name and:

Address:

SERVICE STATION COPY

Mr./Mrs./Ms.:

Address:

Code:

Telephone no:

Model Name:

Serial No:

Date of Purchase:

Cash Memo No.:

Address:

Products Owned by the customer:(Please tick in the appropriate box.

- | | | | |
|--|--|---|---|
| <input type="checkbox"/> Washing Machine | <input type="checkbox"/> Refrigerator | <input type="checkbox"/> Color TV | <input type="checkbox"/> 100% Clothes Dryer |
| <input type="checkbox"/> Dishwasher | <input type="checkbox"/> Music System | <input type="checkbox"/> Oven Toaster Grill | <input type="checkbox"/> 2 wheeler |
| <input type="checkbox"/> Car | <input type="checkbox"/> Air Conditioner | | |

IFB Industries Limited,
Regd.off.: 14 Taratala Road,
Kolkata - 700088